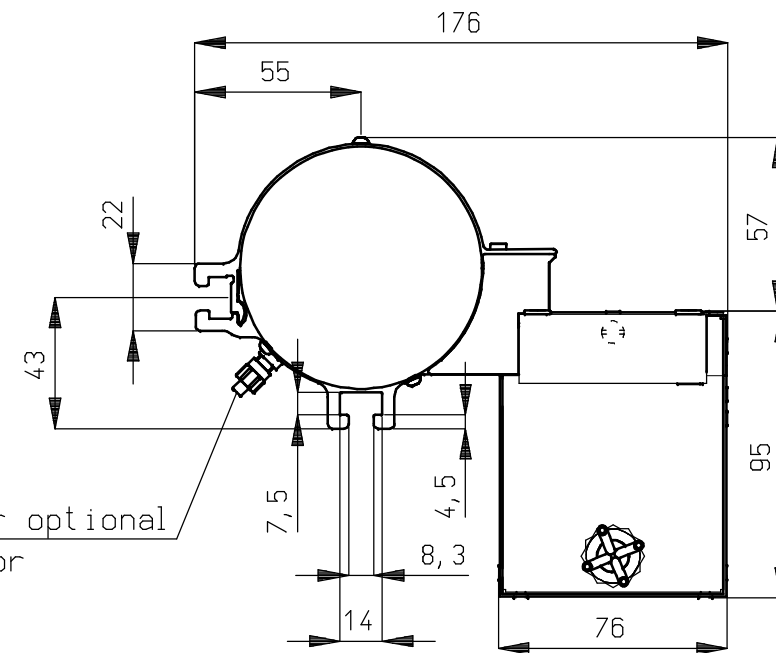
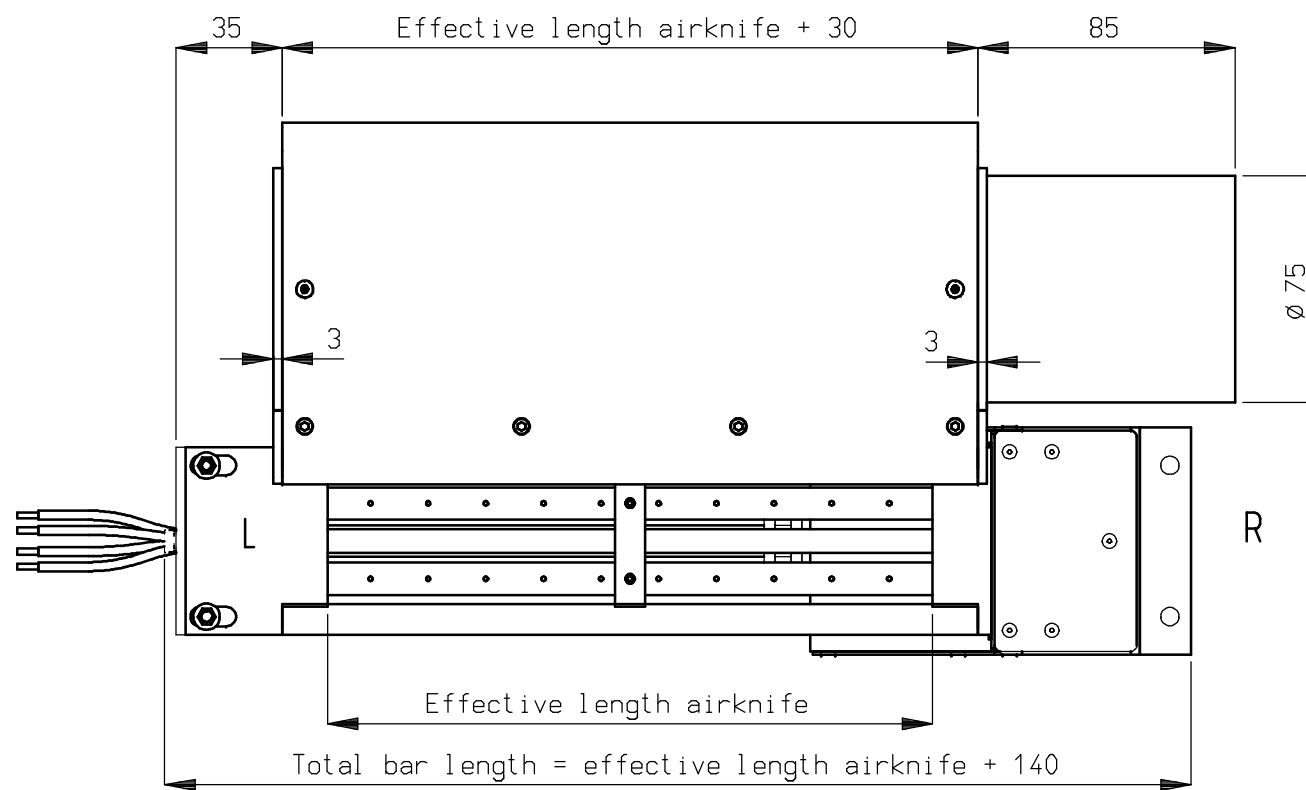


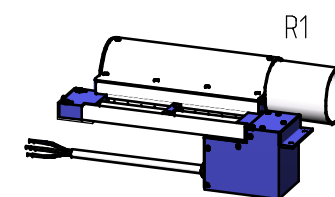
Line cord (standard 5m)



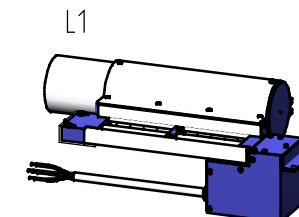
Connection for optional pressure sensor



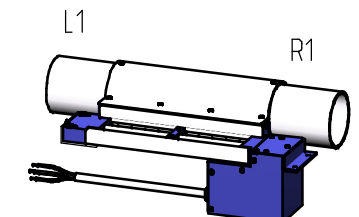
Options



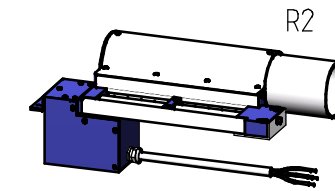
Option 1 (STANDARD)



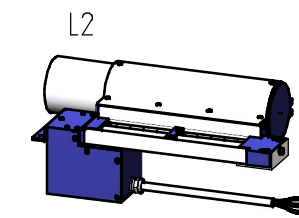
Option 2



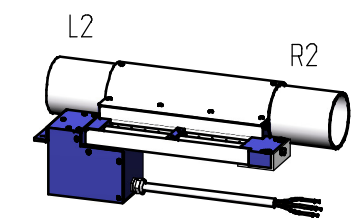
Option 3



Option 4

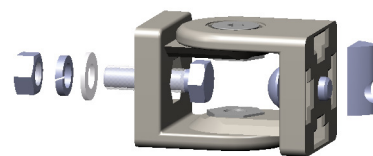


Option 5



Option 6

Options accessories



Mounting set  
part no.: 4479900105



Pressure Sensor set 0 to 100kPa  
Part no.: 4479900150

**Ex Certified Product**  
No modifications permitted without the approval of the "authorised person"

<p><b>SIMCO ION</b> An ITW Company www.simco-ion.nl Tel: +31 (0)573 288333</p>	Name: <b>Typhoon-airknife with P-Sh-N-Ex bar</b>				Drawn: BSG	Part no.: —
	CAD generated NOT updated	Dimensions in mm	Date: 16-10-2008	A3 M: —	ECN2011-070	Check: -