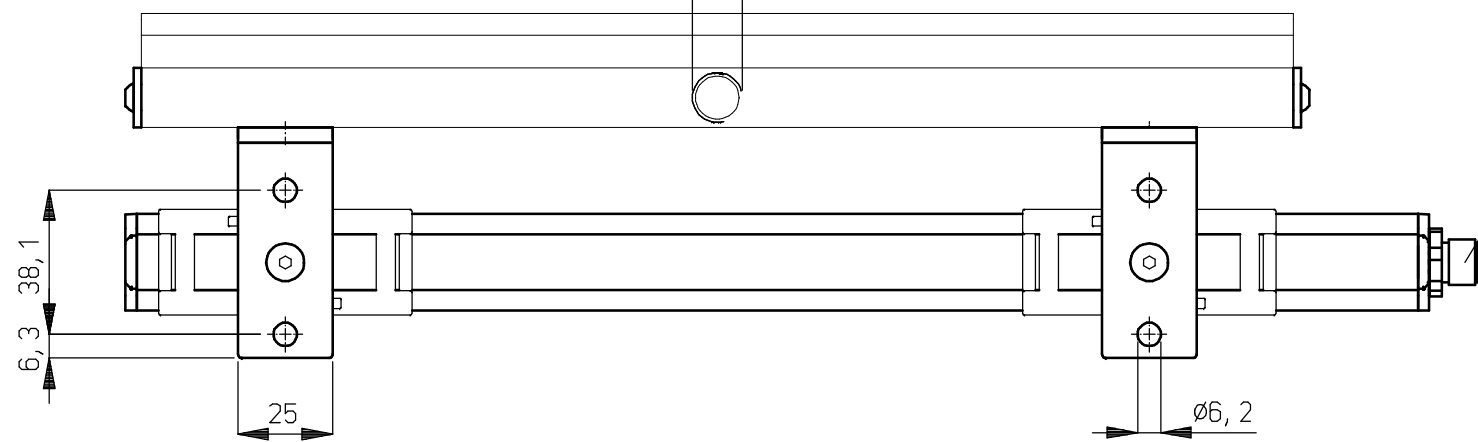
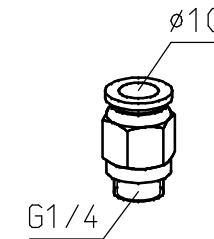


G1/4 (Compressed air inlet Qx)

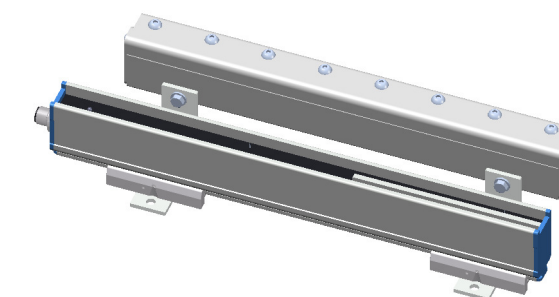
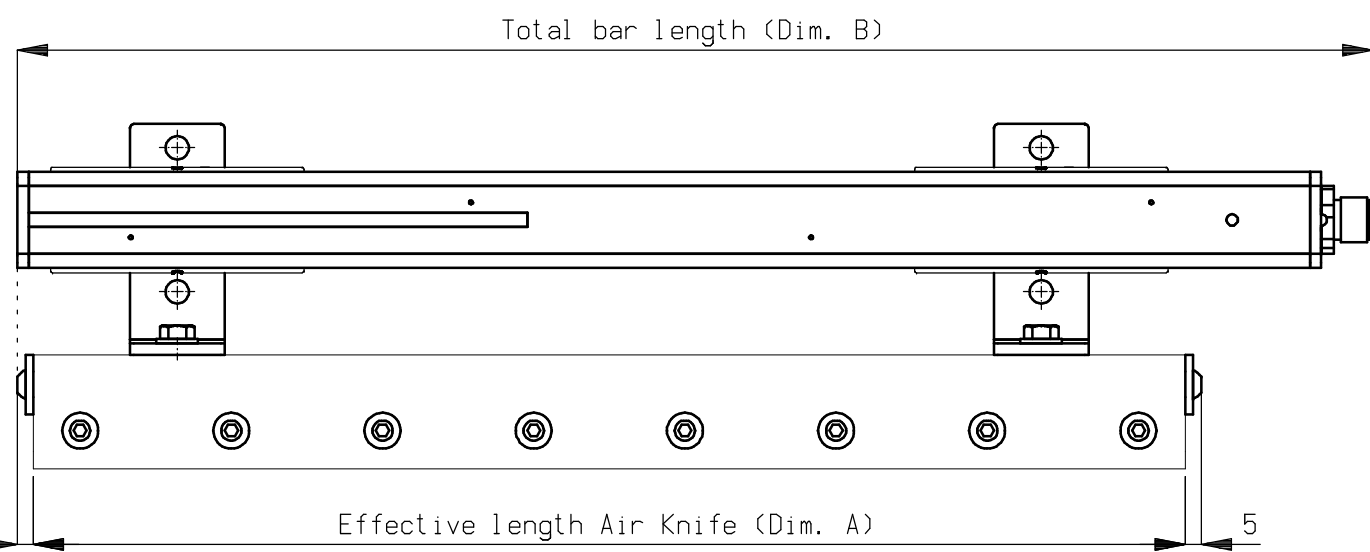
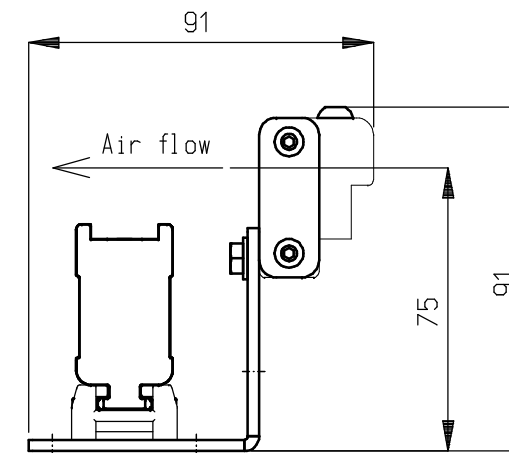
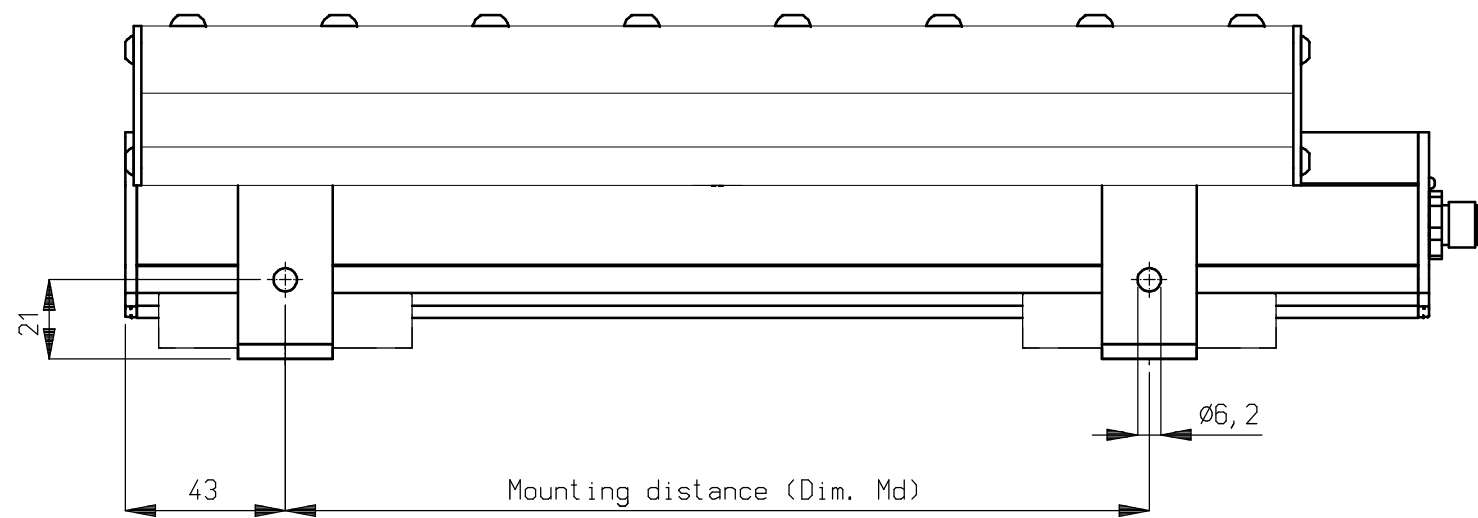


CABLE END with
M12 male 5 pole
connector

- For overview of connections and power
supplies see drawing 15310100



Standard air connection (Qx)



| Dimensions table | | | | |
|------------------|--------|--------|---------|---|
| Air Knife | Dim. A | Dim. B | Dim. Md | Q |
| 6" | 152,4 | 300 | 76,2 | 1 |
| 12" | 304,8 | 360 | 228,6 | 1 |
| 18" | 457,2 | 540 | 381,0 | 2 |
| 24" | 609,6 | 720 | 533,4 | 2 |

| | | | | | | |
|--|--|---------------------|-----------------|-----------|-----------|-------------|
| <p>SIMCO ION An ITW Company www.simco-ion.nl Tel: +31 (0)573 288333</p> | Name: Performax IQ Easy with Air Knife 6" - 24" | | | | Drawn: AB | Part no.: - |
| | CAD generated NOT updated | Dimensions in mm | Date: 24-2-2015 | A3 M: 1:2 | ECN- | Check: - |