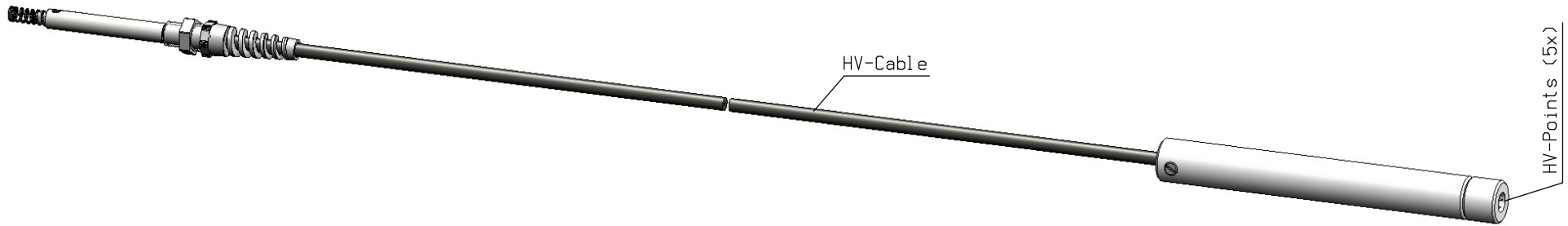
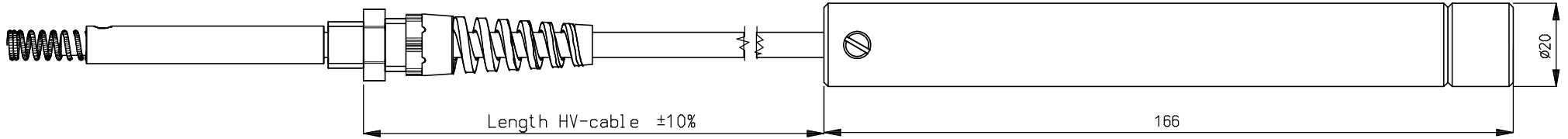
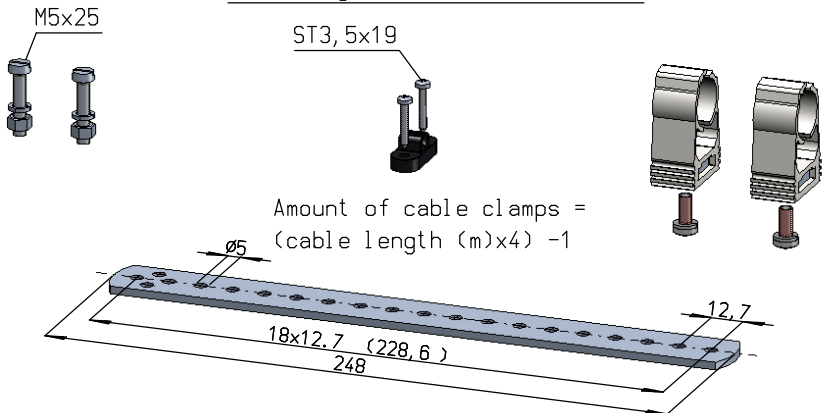


Length HV-cable 3 meters item no. 0927053003
 Length HV-cable 6 meters item no. 0927053006
 Length HV-cable 9 meters item no. 0927053009



3D View 1:2

Mounting materials included



Supply voltage max. 30 kV DC

SIMCO ION An ITW Company www.simco-ion.nl Tel: +31 (0)573 288333	Name: Charging electrode Pinner 5-point				Drawn: MVN	Part no.: —
	CAD generated NOT updated	Dimensions in mm	Date: 28-1-1997	A3 M: 1:1	ECN 2012-031	Check: -